

# INSTALLATION INSTRUCTIONS

#1002837 INLINE PANEL-STILE STIFFENER PACKET 1080.67 SERIES AND

#1001684 INLINE PANEL-STILE ALCOVE PACKET

## Tools Necessary:

- Drill
- T-27 Pin-in-head Torx Bit
- 1/4" Drill bit
- 3/16" Drill bit

## Included Materials:

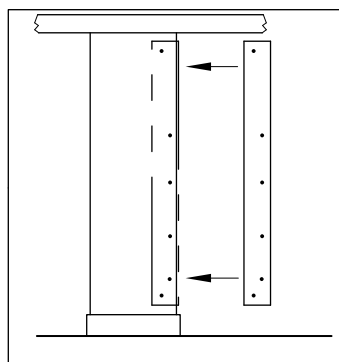
### #1002837

- 1 pc 1002832 U-Channel – 3/4" x 78" high
- 2 pcs 1002665 Button Head Screw - 5/8"
- 2 pcs 1002666 Sex Bolt

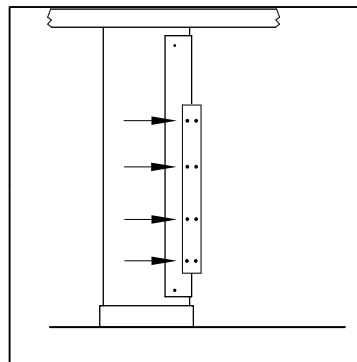
### #1001684

- 1 pc 1001375 Strip Bracket
- 2 pcs 1001371 Angle Bracket
- 8 pcs 1002495 Torx Screw
- 16 pcs 1002499 Torx Screw

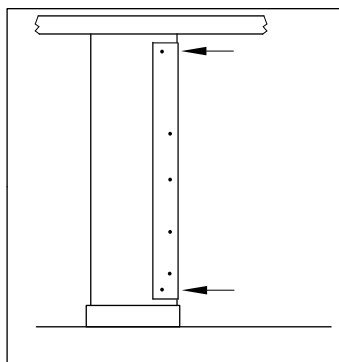
1. Slide 3/4" U-Channel over 3/4" thick stile so that channel is centered between headrail and shoe. **Orient channel so four equally spaced holes are closer to the floor.**



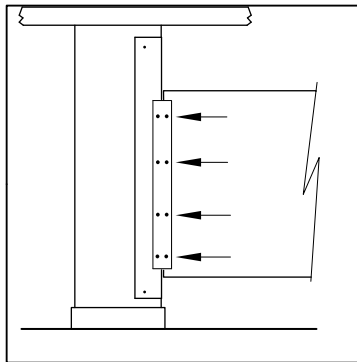
4. Drill 3/16" diameter x 7/16" holes **(Do not drill thru)**. Attach 1001375 Strip Bracket onto 3/4" U-Channel using 1002499 Torx Screw. **Place Strip Bracket on inside of toilet stall.**



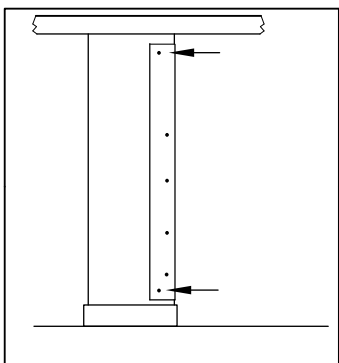
2. Drill 1/4" diameter holes through Phenolic (top and bottom only). Use holes on U-Channel as a template.



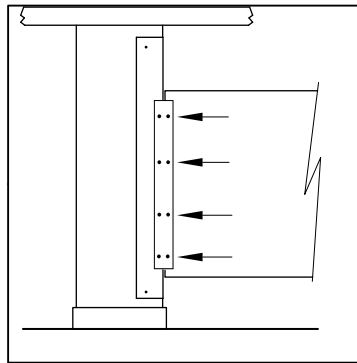
5. Drill 3/16" diameter x 7/16" holes on 1/2" thick panel using hole pattern of Strip Bracket (mounted to U-channel on stile) as template.



3. Use 1002665 Button Head Screws - 5/8" and 1002666 Sex Bolts in topmost and bottom-most holes to secure U-Channel Bracket to stile.



6. Use 1002499 Torx Screws - 7/16" to secure Strip Bracket to 1/2" Thick Panel.



BUILDING VALUE SINCE 1906

In the U.S.A.: BOBRICK WASHROOM EQUIPMENT, INC.

200 Commerce Drive, Clifton Park, New York 12065-1350 • Tel: (518) 877-7444 • FAX: 518-877-5029  
11611 Hart Street, North Hollywood, California 91605-5882 • Tel: (818) 982-9608 • FAX: 818-503-1102  
or email [Bobrickcustomerservice@bobrick.com](mailto:Bobrickcustomerservice@bobrick.com)

In Canada: BOBRICK WASHROOM EQUIPMENT COMPANY

45 Rolark Drive, Scarborough, Ontario M1R 3B1 • FAX: (877) 423-8555

# INSTALLATION INSTRUCTIONS

## #1002837 INLINE PANEL-STILE STIFFENER PACKET 1090.67 SERIES AND #1002686 INLINE PANEL-STILE ALCOVE PACKET

### Tools Necessary:

- Drill
- T-27 Pin-in-head Torx Bit
- 1/4" Drill bit

### Included Materials:

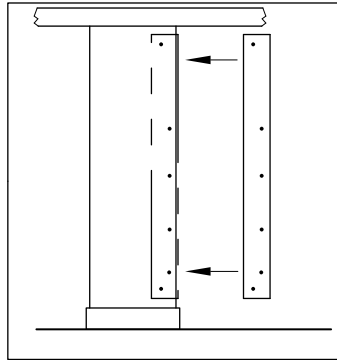
#### #1002837

- 1 pc 1002832 U-Channel – 3/4" x 78" high
- 2 pcs 1002665 Button Head Screw - 5/8"
- 2 pcs 1002666 Sex Bolt

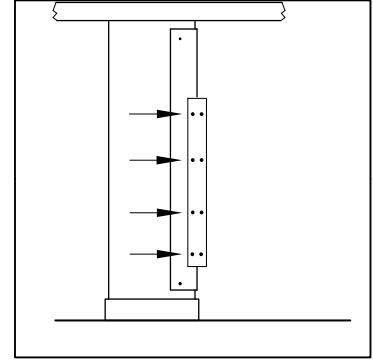
#### #1002686

- 1 pc 1001375 Strip Bracket
- 2 pcs 1001371 Angle Bracket
- 8 pcs 1002495 Torx Screw
- 8 pcs 1002499 Torx Screw
- 4 pcs 1002664 Button Head Screw - 3/8"
- 4 pcs 1002665 Button Head Screw - 5/8"
- 8 pcs 1002666 Sex Bolt

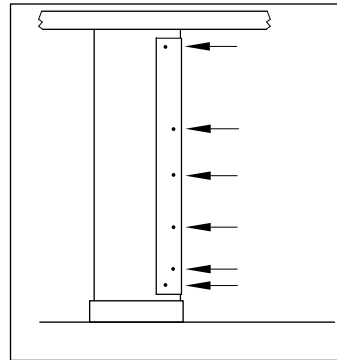
1. Slide 3/4" U-Channel over 3/4" thick stile so that channel is centered between headrail and shoe. **Orient channel so four equally spaced holes are closer to the floor.**



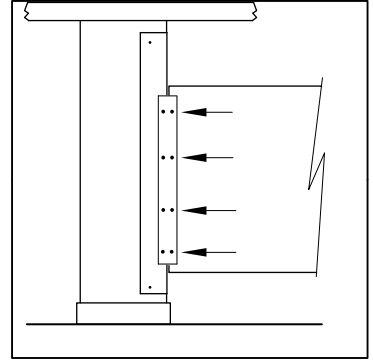
4. Use 1002665 Button Head Screws - 5/8" and 1002666 Sex Bolts to attach 1001375 Strip Bracket onto 3/4" U-Channel. **Place Strip Bracket on inside of toilet stall.**



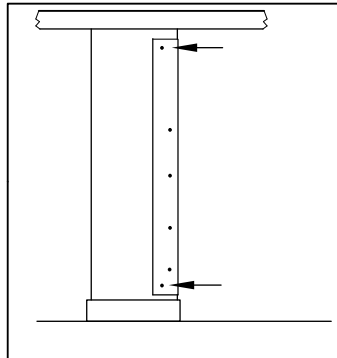
2. Drill 1/4" diameter holes through Solid Color Reinforced Composite (SCRC) material. Use holes on U-Channel as a template.



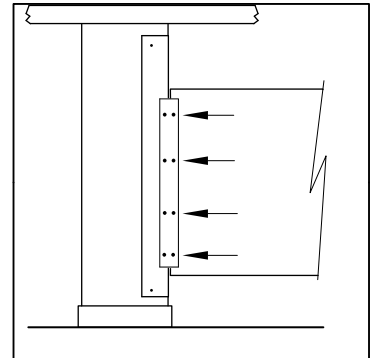
5. Drill 1/4" diameter holes through 1/2" thick panel using hole pattern of Strip Bracket (mounted to U-channel on stile) as template.



3. Use 1002665 Button Head Screws - 5/8" and 1002666 Sex Bolts in topmost and bottom-most holes to secure U-Channel Bracket to stile.



6. Use 1002664 Button Head Screws - 3/8" and 1002666 Sex Bolts to secure Strip Bracket to 1/2" Thick Panel.



BUILDING VALUE SINCE 1906

© 2013 by Bobrick Washroom Equipment, Inc.  
Form No. 1002837 r1/2/13 Printed in U.S.A.

In the U.S.A.: BOBRICK WASHROOM EQUIPMENT, INC.

200 Commerce Drive, Clifton Park, New York 12065-1350 • Tel: (518) 877-7444 • FAX: 518-877-5029  
11611 Hart Street, North Hollywood, California 91605-5882 • Tel: (818) 982-9608 • FAX: 818-503-1102  
or email [Bobrickcustomerservice@bobrick.com](mailto:Bobrickcustomerservice@bobrick.com)

In Canada: BOBRICK WASHROOM EQUIPMENT COMPANY

45 Rolark Drive, Scarborough, Ontario M1R 3B1 • FAX: (877) 423-8555